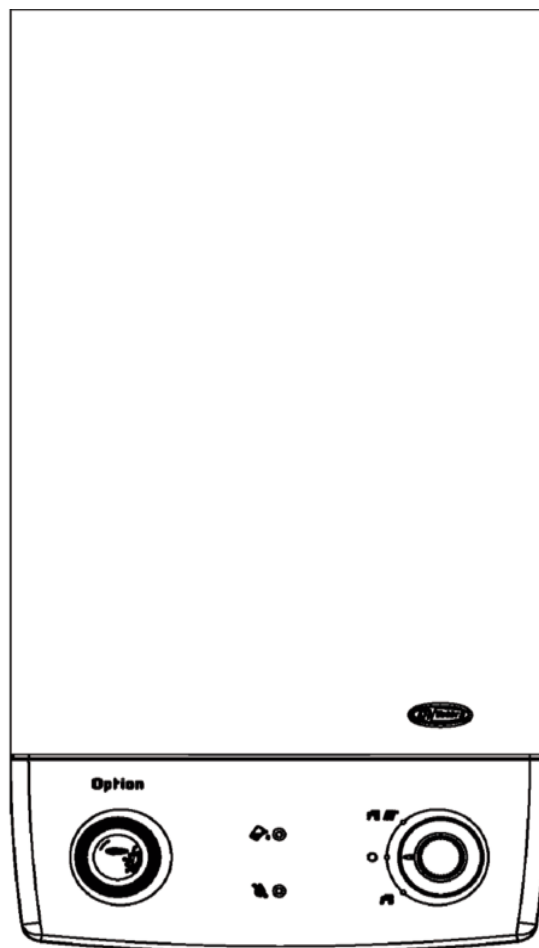


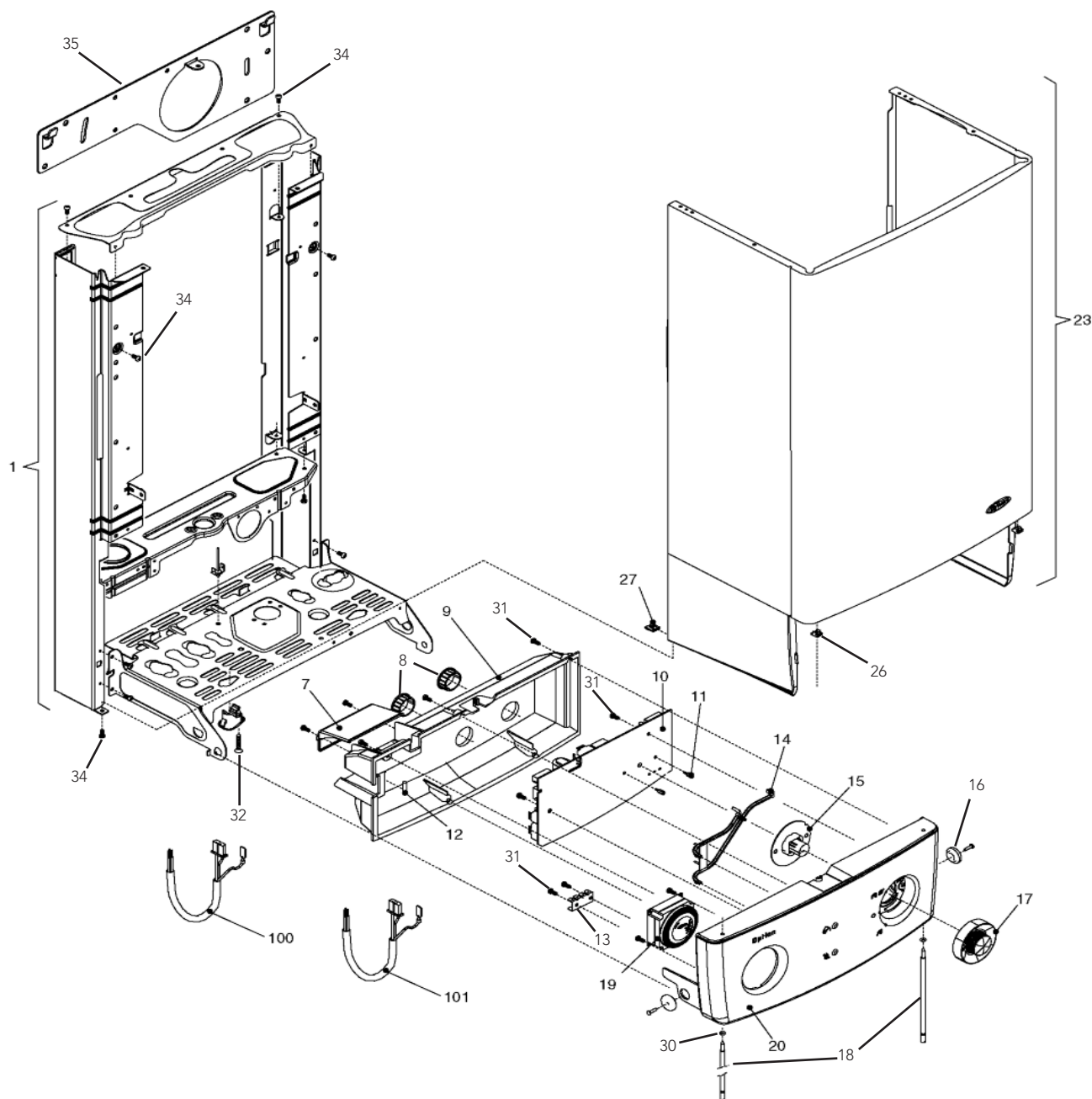
Option 24

Product code NG: 173
Product code LPG: 174
GC Number: 4709432



Controls and Accessories	Part Number	Controls and Accessories	Part Number
CLOCK - MECHANICAL	201	CLOCK - DIGITAL	202
CONVERSION KIT LPG - NG	01005088	CONVERSION KIT NG - LPG	0594
HORIZONTAL FLUE TERMINAL	2359029	VERTICAL FLUE TERMINAL	2359039

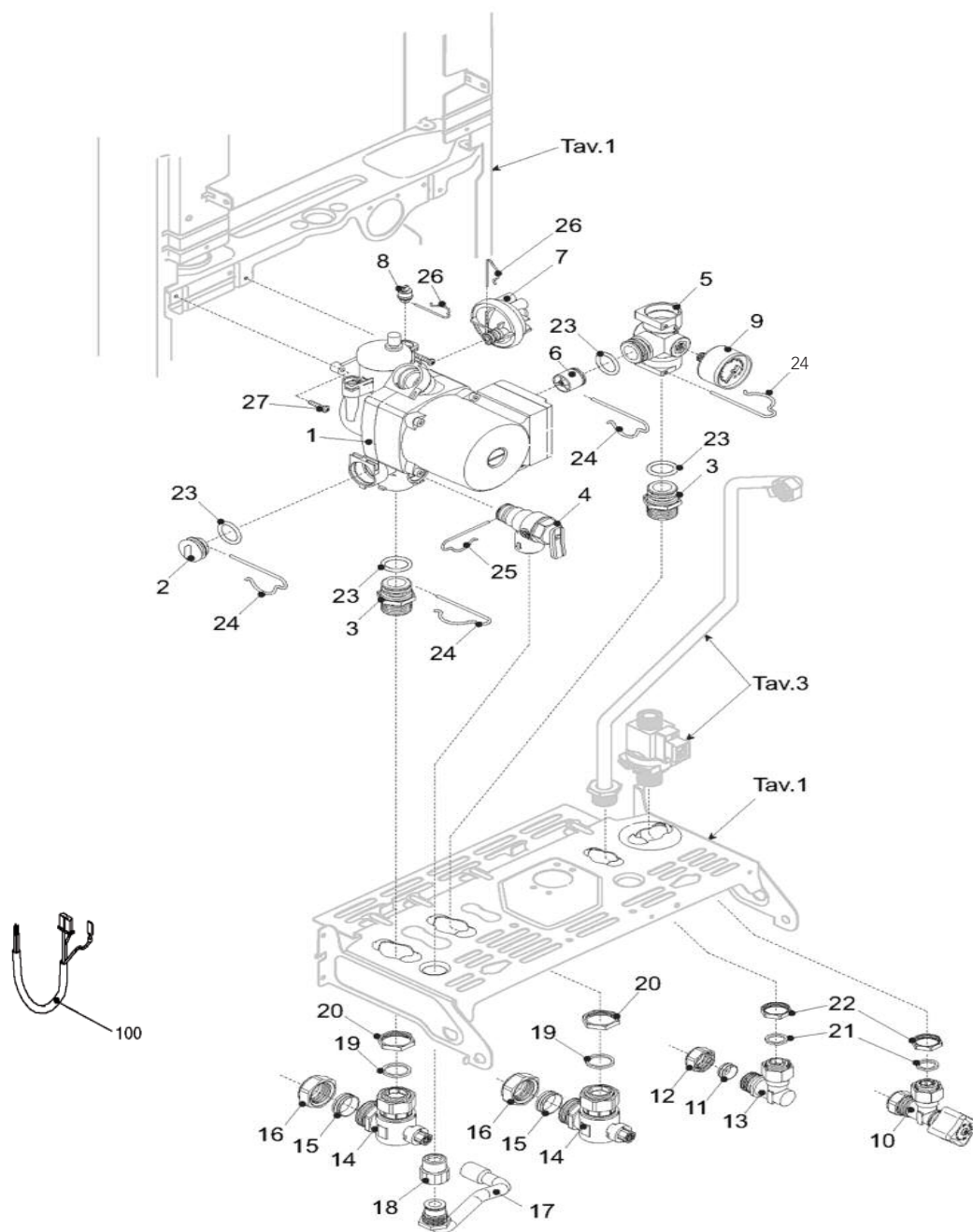
Frame, Front Panel and Case



Position	Description	Part Number
1	FRAME ASSEMBLY	01005085
7	ELECTRICAL COVER	10020608
8	APERTURE PLUG	10020609
9	PCB COVER	10020607
10	PRINTED CIRCUIT BOARD	10022533
11	POTENTIOMETER EXTENTION	2211
12	FUSE	8968
13	EARTHING STRIP	10020489
14	LED LENS TUBE	10020610
15	MODE SELECTOR SHAFT	10020893
16	LOCATING WASHER	10023044
17	MODE SELECTOR KNOB	10020645
18	CONTROL PANEL SECURING SCREW	10020611

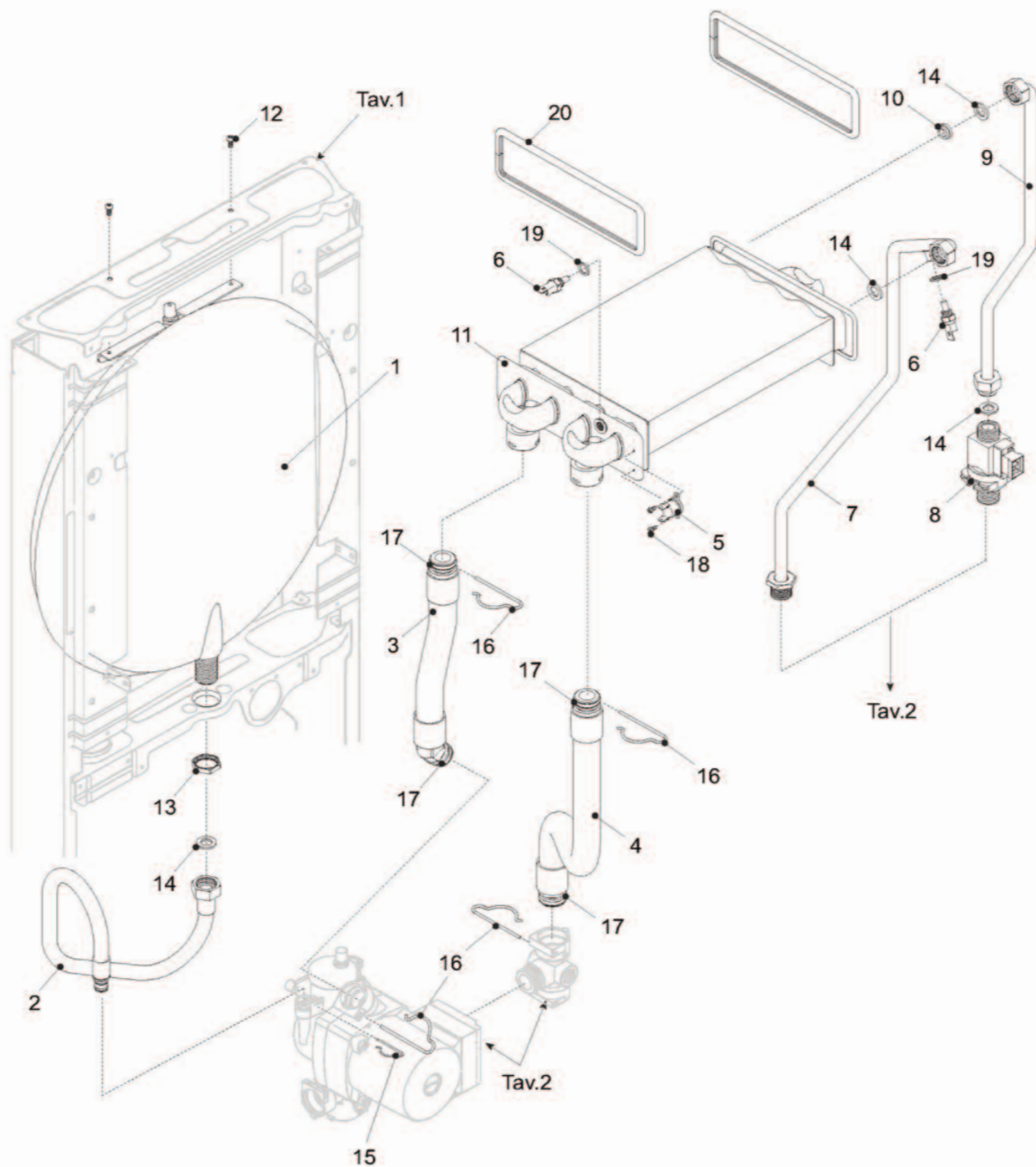
Position	Description	Part Number
19	TIME SWITCH	10020892
20	CONTROL PANEL	10020891
23	APPLIANCE CASING	10020601
26	CAPTIVE NUT	5230
27	EDGE CLIP	5128
30	O-RING	1869
31	3.5MM X 12MM SCREW	5240
32	CABLE ENTRY SCREW	5171
34	3.9MM X 9.5MM SCREW	5079
35	APPLIANCE MOUNTING BRACKET	10020896
100	ELECTRICAL SUPPLY CABLE	10020305
101	CLOCK HARNESS	2294

Hydraulic Components 1



Position	Description	Part Number	Position	Description	Part Number
1	COMPLETE PUMP	20002906	16	22MM NUT	1824
2	MANIFOLD PLUG	2261	17	SAFETY VALVE OUTLET TAIL	10020898
3	SCREWED CONNECTION	2217	18	SAFETY VALVE EXTENSION	10022499
4	SAFETY VALVE	1806	19	FIBRE WASHER	5237
5	FLOW MANIFOLD	10022658	20	3/4 LOCK NUT	4026
6	AUTO BYPASS	2047	21	FIBRE WASHER	5236
7	WATER PRESSURE SWITCH	20046189	22	LOCKNUT	4274
8	MANIFOLD PLUG	2216	23	O' RING	6898
9	PRESSURE GAUGE	10020622	24	LOCKING PIN	2223
10	WATER SUPPLY STOP COCK	7099	25	LOCKING PIN	2222
11	15MM COMPRESSION RING	1821	26	LOCKING PIN	2165
12	15MM NUT	1823	27	3.9MM X 19MM SCREW	5081
13	HOT WATER OUTLET TAIL	1790	100	M4 TO DHW NTC, HEAT NTC, DHW FLOW SWITCH, PRESS SWITCH & MODULATOR	10020617
14	HEATING COCK 22MM	1789			
15	22MM COMPRESSION RING	1822			

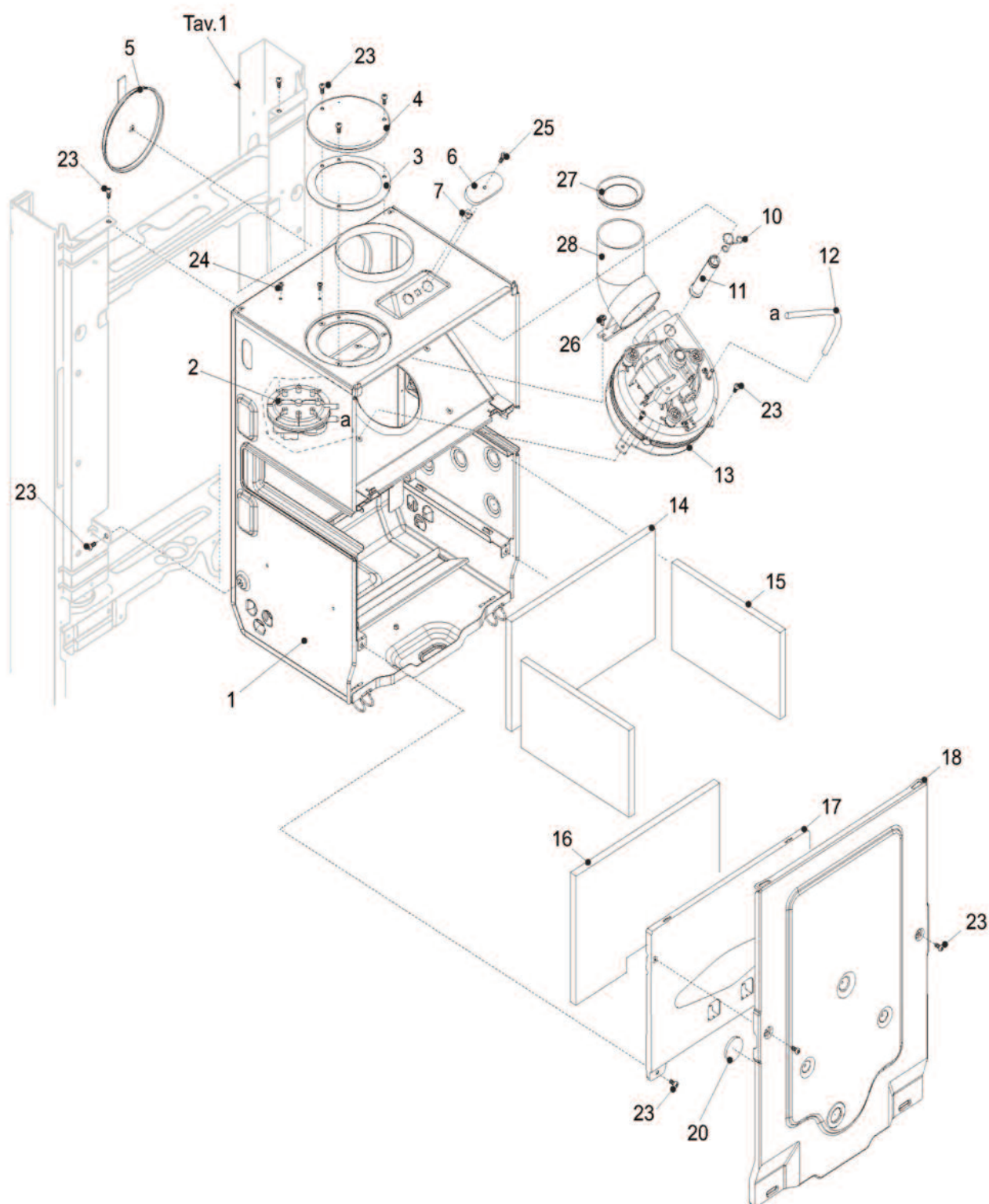
Hydraulic Components 2



Position	Description	Part Number
1	8 LITRE EXPANSION VESSEL	2204
2	EXPANSION PIPE	10023603
3	HEAT EXCHANGER RETURN PIPE	10022002
4	HEAT EXCHANGER FLOW PIPE	10022000
5	HIGH LIMIT THERMOSTAT	2258
6	THERMISTOR	10027352
7	HOT WATER OUTLET PIPE	10020612
8	HOT WATER FLOW SWITCH	10022349
9	HOT WATER INLET PIPE	10020714
10	FLOW GOVENOR (BLUE)	8009

Position	Description	Part Number
11	HEAT EXCHANGER	2310
12	3.9MM X 9.5MM SCREW	5079
13	LOCKNUT	4274
14	FIBRE WASHER	5026
15	LOCKING PIN	2165
16	LOCKING PIN	2223
17	O' RING	6898
18	2.9MM X 6.5MM SCREW	5243
19	ALUMINIUM WASHER	5041
20	RUBBER SEAL	2226

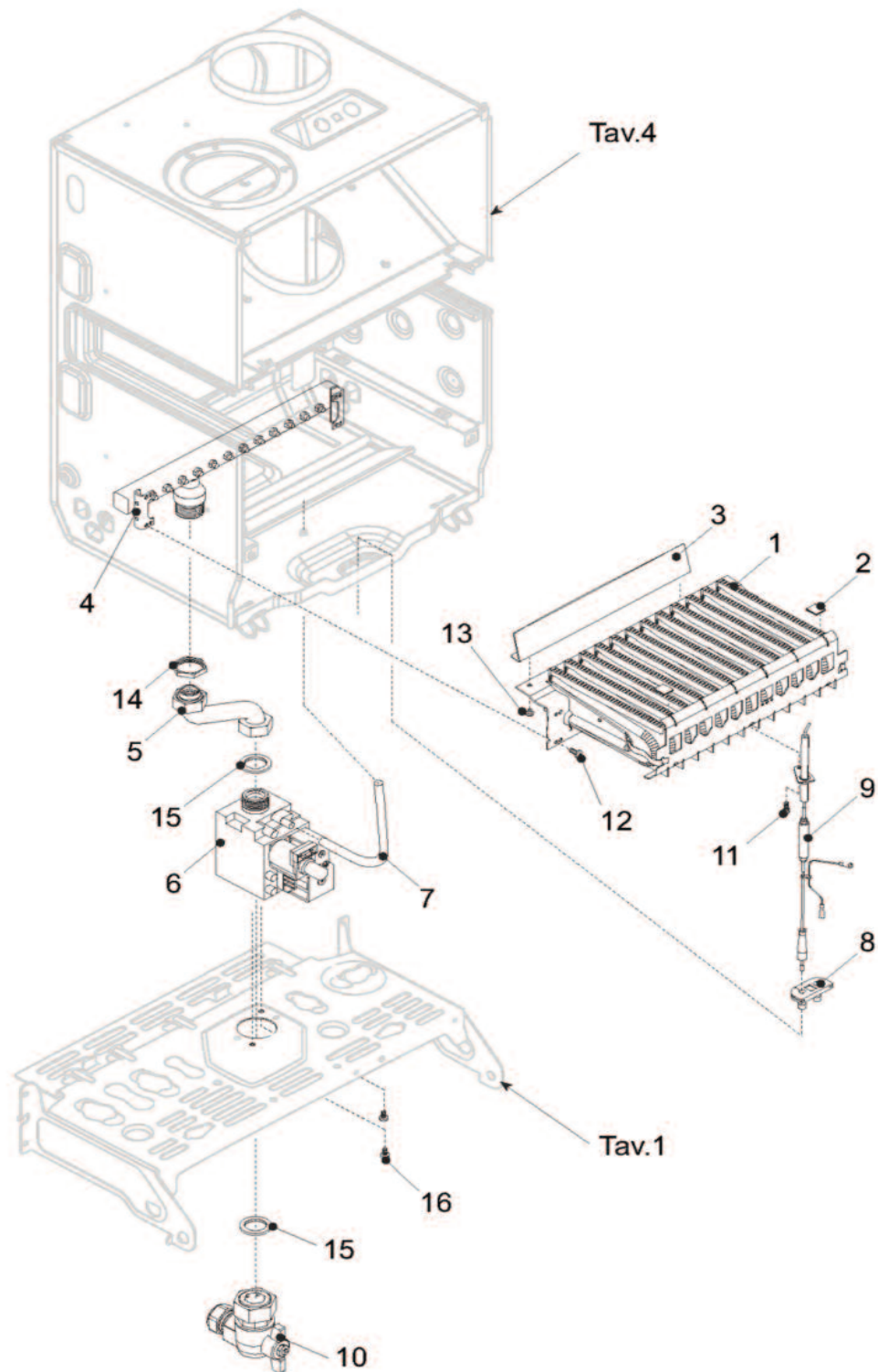
Combustion Components



Position	Description	Part Number
1	AIR CHAMBER	10020894
2	AIR PRESSURE SWITCH	1005272
3	SEAL	8975
4	AIR BOX HOLE CAP	8084
5	BLANKING PLATE	2233
6	TEST PLATE	10020624
7	FUMES TESTING SCREW	10020625
10	STOP CLIP	10020626
11	FUMES TESTING CONNECTION PIPE	10020627
13	FAN ASSEMBLY	10020793
14	REAR INSULATION PANEL	2230

Position	Description	Part Number
15	INSULATION SIDE PANEL	2231
16	FRONT INSULATION PANEL	2232
17	COMBUSTION COVER	2228
18	COVER FOR AIR BOX	10021568
20	GLASS	10021558
23	3.9MM X 9.5MM SCREW	5079
24	2.9MM X 6.5MM SCREW	5077
25	3.9MM X 13MM SCREW	5080
26	3.9MM X 9.5MM SCREW	5212
27	FLANGE	2586
28	CONNECTION	2237

Burner



Position	Description	Part Number
1	BURNER	2234
2	CLIP	5172
3	CROSSLIGHT STRIP	2238
4	BURNER BAR NG	2235
4	BURNER BAR LPG	2236
5	GAS VALVE OUTLET PIPE	2243
6	GAS VALVE	5172
7	SILICONE TUBE	1457
8	ELECTRODE SEAL	1835

Position	Description	Part Number
9	ELECTRODE LEAD	2255
10	GAS COCK	10020897
11	2.9MM X 9.5MM SCREW	5169
12	4.2MM X 9.5MM SCREW	5082
13	3.2MM X 7MM RIVET	5093
14	3/4 LOCKNUT	4026
15	WASHER	5023
16	M4 X 7MM SCREW	5086