

# AquaFlow

Indirect unvented  
cylinder



RANGE 120 - 150 - 180 - 200 - 250 - 300 ■

25 YEAR WARRANTY ■

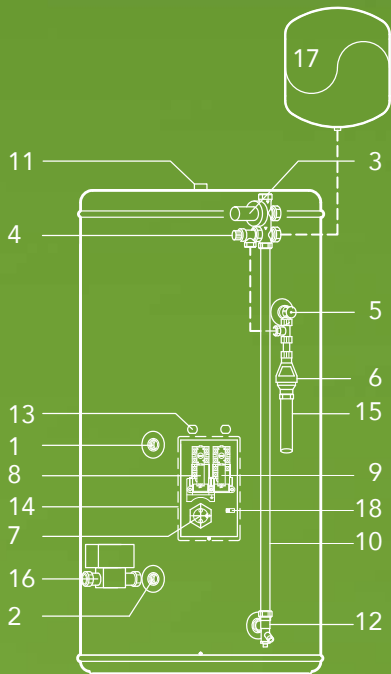
BUILDING & WATER REGULATIONS APPROVED ■

HIGH QUALITY STAINLESS STEEL ■

HIGH PERFORMANCE ■

# AquaFlow

## Indirect unvented cylinder



### KEY

1. Return 3/4" BSP boiler
2. Flow 3/4" BSP boiler
3. Pressure reducing valve multibloc (3 bar)
4. Expansion relief valve (6 bar)
5. Temperature and pressure relief valve
6. Tundish
7. Immersion heater
8. Immersion heater control thermostat
9. Indirect energy cut out control thermostat
10. Cold feed tube
11. Hot water outlet 3/4" BSP
12. Elbow / drain cock
13. Cable entry
14. Electrical box
15. Discharge pipe
16. Motorised valve
17. Expansion vessel
18. Clip for thermistor

| SPECIFICATIONS                      | AQUA FLOW 120SC | AQUA FLOW 150SC | AQUA FLOW 180SC | AQUA FLOW 200SC | AQUA FLOW 250SC | AQUA FLOW 300SC |
|-------------------------------------|-----------------|-----------------|-----------------|-----------------|-----------------|-----------------|
| PRODUCT ORDER CODE                  | 29450020        | 29450021        | 29450022        | 29450023        | 29450024        | 29450025        |
| CAPACITY RANGE (LITRES)             | 120             | 150             | 180             | 200             | 250             | 300             |
| DIMENSIONS AND WEIGHTS              |                 |                 |                 |                 |                 |                 |
| HEIGHT (MM)                         | 730             | 910             | 1020            | 1160            | 1410            | 1610            |
| DIAMETER (MM)                       | 580             | 580             | 580             | 580             | 580             | 580             |
| WEIGHT WHEN FULL (KG)               | 150             | 181             | 212             | 244             | 299             | 347             |
| PERFORMANCE                         |                 |                 |                 |                 |                 |                 |
| COIL RATING (kW)                    | 13.6            | 17.2            | 17.3            | 17.1            | 16.8            | 16.5            |
| COIL SURFACE AREA (M <sup>2</sup> ) | 0.4             | 0.8             | 0.8             | 0.8             | 0.8             | 0.8             |
| AVERAGE RECOVERY TIME (MIN)         | 21.1            | 24.3            | 29              | 33              | 42              | 49.5            |
| AVERAGE RECOVERY TIME 70% (MIN)     | 15              | 17              | 20              | 23              | 29              | 35              |
| EFFICIENCY                          |                 |                 |                 |                 |                 |                 |
| ENERGY LOSS (kWh/DAY)               | 1.08            | 1.3             | 1.44            | 1.59            | 1.87            | 2.08            |
| MAX WORKING PRESSURE (BAR)          | 6               | 6               | 6               | 6               | 6               | 6               |
| ERP RATING                          | B               | B               | C               | C               | C               | C               |

- For use with Vokera Mynute VHE open vent boiler, Vision S and Mynute i system boilers.
- Inner tank guaranteed for 25 years, made from stainless steel.
- 2 year warranty on ancillary components.
- High performance mains pressure to all hot water outlets.
- Up to 50 l/min flow rate.
- Building and water regulations approved.
- No need for 'sacrificial anode' due to excellent anti-corrosion properties of stainless steel.
- Compact dimensions.
- TPRV, EV, Water controls, Tundish, 2-port motorised valve supplied as standard.
- 3kW immersion heater and energy cut-out device supplied as standard.
- Optional secondary return connection if required.
- Thermal insulation and energy efficient coil meet Part L Requirements.

<sup>(1)</sup>Subject to registration and annual service, 25 year warranty on the tank, 2 year warranty on ancillary parts.



ErP Compliant



25 Year Warranty<sup>(1)</sup>



BUILDING AND WATER REGULATIONS APPROVED



COMPATIBLE WITH MYNUTE AND VISION S

GET IN TOUCH

Vokera Limited, Borderlake House, Unit 7 Riverside Industrial Estate, London Colney, AL2 1HG

**E:** [enquiries@vokera.co.uk](mailto:enquiries@vokera.co.uk)

**W:** [www.vokera.co.uk](http://www.vokera.co.uk)

**T:** 0844 391 0999

**F:** 0844 391 0998

### WE ARE SOCIAL

