

## Linea One

High efficiency  
combi boiler



38kW BOILER ■

ErP CLASS A ■

5 YEAR WARRANTY ■

10:1 MODULATION RATIO ■

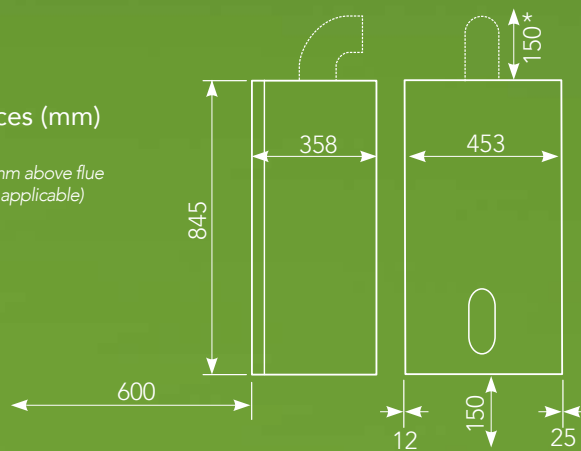
HIGH FLOW RATE ■

# Linea One

## High efficiency combi boiler

### Dimensions and Clearances (mm)

\*From casing or 25mm above flue elbow (whichever is applicable)



- Fully compliant with the Energy-related Products Directive. Further efficiency can be achieved when installed with a weather compensation sensor or OpenTherm control such as BeSMART.
- 5 year parts and labour warranty.<sup>(1)</sup>
- Flow rate of up to 15.6 l/min results in quick delivery of hot water and meets NHBC performance requirements for combi boilers in properties with multiple bathrooms.
- Weather compensation control, supplied as standard, can increase ErP space heating efficiency by a further 2%.
- DHW memory function memorises the DHW usage pattern over the past seven days and uses the stored data to plan the pre heat function for the duration of the following week. The standard pre heat function is therefore only enabled when necessary, maximising energy savings.
- Fully modulating pump can be controlled using several modes of operation and can reduce electrical consumption by up to 50%.
- Exceptional modulation ratio of 10:1 maximises efficiency and comfort for end-user.
- Designed for easy installation. A pre-fixing jig and built-in filling loop allows the system to be connected and tested without the boiler needing to be in place.
- The easy to use appliance interface and controls permits the end-user to view, change and adjust the operating modes of the boiler.
- Versatile flue options with concentric flue lengths up to 12m and twin flue lengths up to 30m.
- Use the Vokèra push fit telescopic flue for a quick and simple installation.
- Built-in frost protection, protects the appliance from damage during periods of cold weather.
- Simple commissioning; only minimal adjustments are required after installation and automatic modulation eliminates the need to range rate the boiler.
- Anti-seize function protects the pump and motorised valve from sticking during long periods of inactivity.
- Self-start programming protects the pump and motorised valve from sticking during long periods of inactivity.
- Enhanced Autostop disabling function with four optional modes of operation, including: service reminder, reducing the output of the boiler, supply DHW only and moving the boiler into standby mode (no heat or DHW).<sup>(2)</sup>

<sup>(1)</sup>Subject to registration and annual service.

<sup>(2)</sup>Autostop activation device required. Contact Vokèra Technical Support for advice.



ErP Compliant



5 Year Warranty<sup>(2)</sup>



Modulation Ratio



High Flow Rate



BeSMART Compatible



Endorsed Product

SPECIFICATIONS	LINEA ONE
PRODUCT ORDER CODE	20023491
<b>CENTRAL HEATING</b>	
HEAT INPUT (kW)	30
MAXIMUM HEAT OUTPUT 60/80°C (kW)	29.3
MAXIMUM HEAT OUTPUT 50/30°C (kW)	31.9
<b>DOMESTIC HOT WATER</b>	
MAXIMUM HEAT INPUT (kW)	38.1
MINIMUM HEAT OUTPUT (kW)	3.8
FLOW RATE - 35°C RISE (L/MIN)	15.6
<b>DIMENSIONS</b>	
HEIGHT (MM)	845
WIDTH (MM)	453
DEPTH (MM)	358
<b>WEIGHT</b>	
DRY WEIGHT (KG)	44
<b>CONNECTIONS</b>	
FLOW & RETURN	22MM
GAS	15MM
DHW INLET & OUTLET	15MM
SAFETY VALVE	15MM
CONDENSATE	21MM
<b>ELECTRICAL</b>	
VOLTAGE (V/Hz)	230/50
<b>FLUE DETAILS (CONCENTRIC)</b>	
MAXIMUM HORIZONTAL FLUE LENGTH 60/100MM	3.85M
MAXIMUM VERTICAL FLUE LENGTH 60/100MM	4.85M
MAXIMUM HORIZONTAL FLUE LENGTH 80/125MM	10M
MAXIMUM VERTICAL FLUE LENGTH 80/125MM	12M
<b>FLUE DETAILS (TWIN)</b>	
MAXIMUM HORIZONTAL FLUE LENGTH (80MM/80MM)	30/30M
MAXIMUM VERTICAL FLUE LENGTH (80MM/80MM)	30/30M
<b>EFFICIENCY</b>	
ErP SEASONAL SPACE HEATING ENERGY EFFICIENCY (CLASS/%)	A/93
ErP WATER HEATING EFFICIENCY (XL PROFILE) (CLASS/%)	A/83
NO <sub>x</sub> CLASS	5

### ENERGY SAVING CONTROLS AND OPTIONS

DESCRIPTION	CODE
STANDARD BeSMART WI-FI KIT	20111860
WIRING KIT FOR USE WITH OPENTHERM	1221179
TELESCOPIC FLUE TERMINAL	29450121
SPACING FRAME	435
MAGNETIC FILTER	29450199
CONDENSATE PUMP	404
LINEA ONE LPG CONVERSION KIT	20031415

GET IN TOUCH

Vokèra Limited, Borderlake House, Unit 7 Riverside Industrial Estate, London Colney, AL2 1HG

E: [enquiries@vokera.co.uk](mailto:enquiries@vokera.co.uk)

T: 0844 391 0999

W: [www.vokera.co.uk](http://www.vokera.co.uk)

F: 0844 391 0998

### WE ARE SOCIAL

