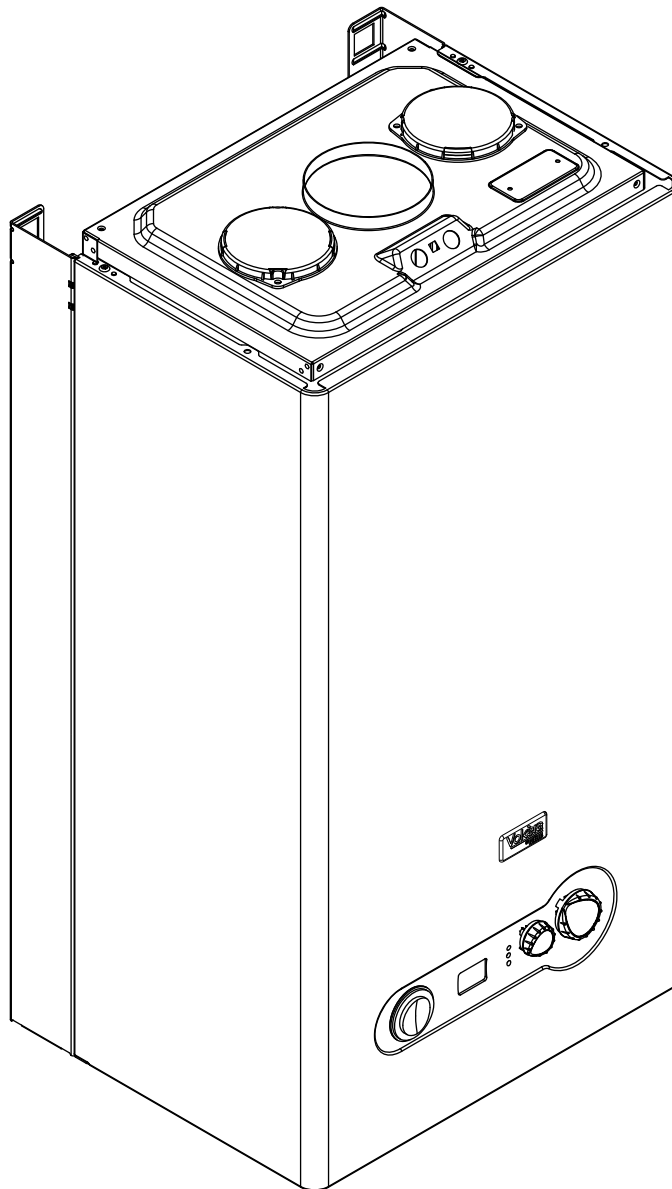
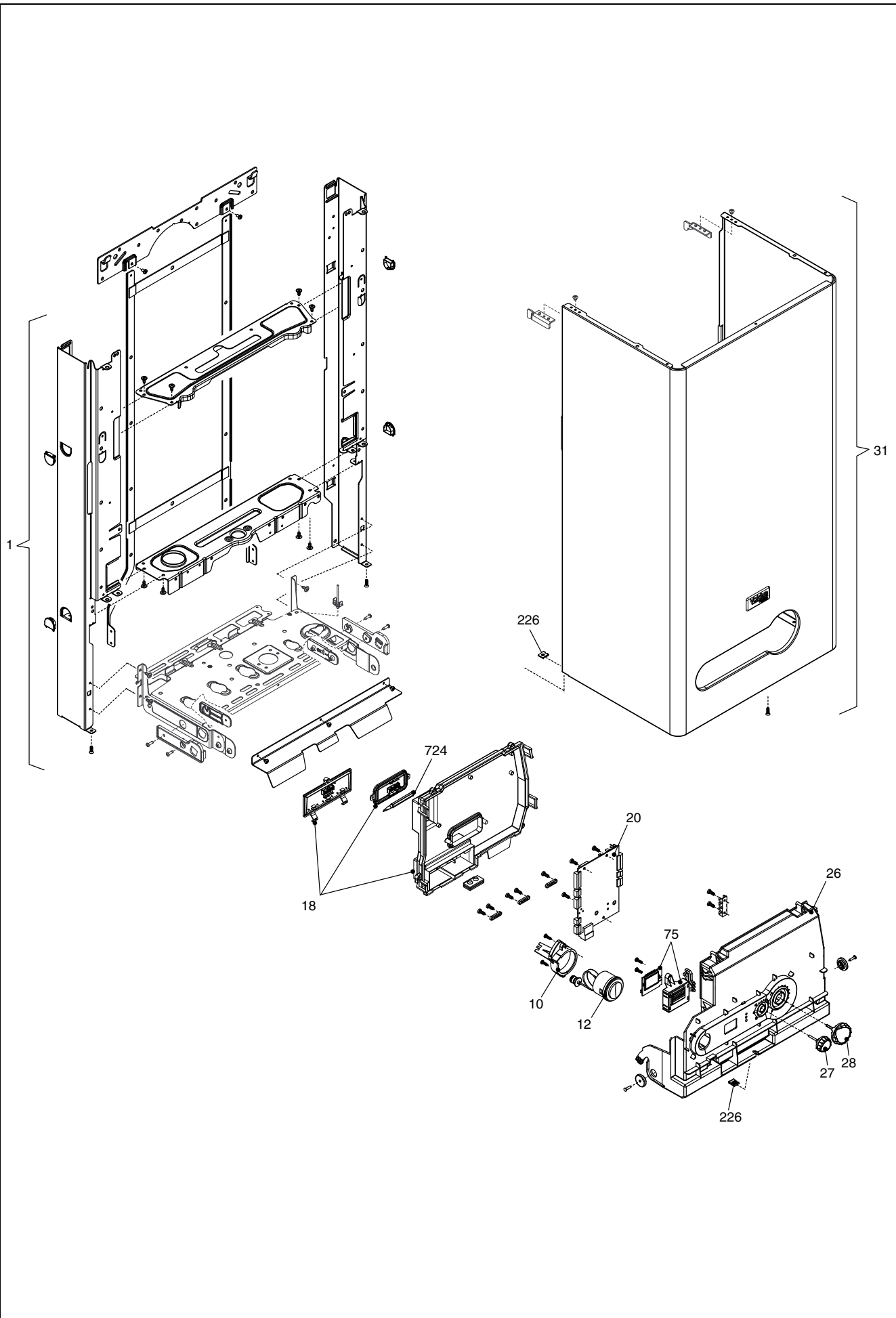


Wall hung boilers

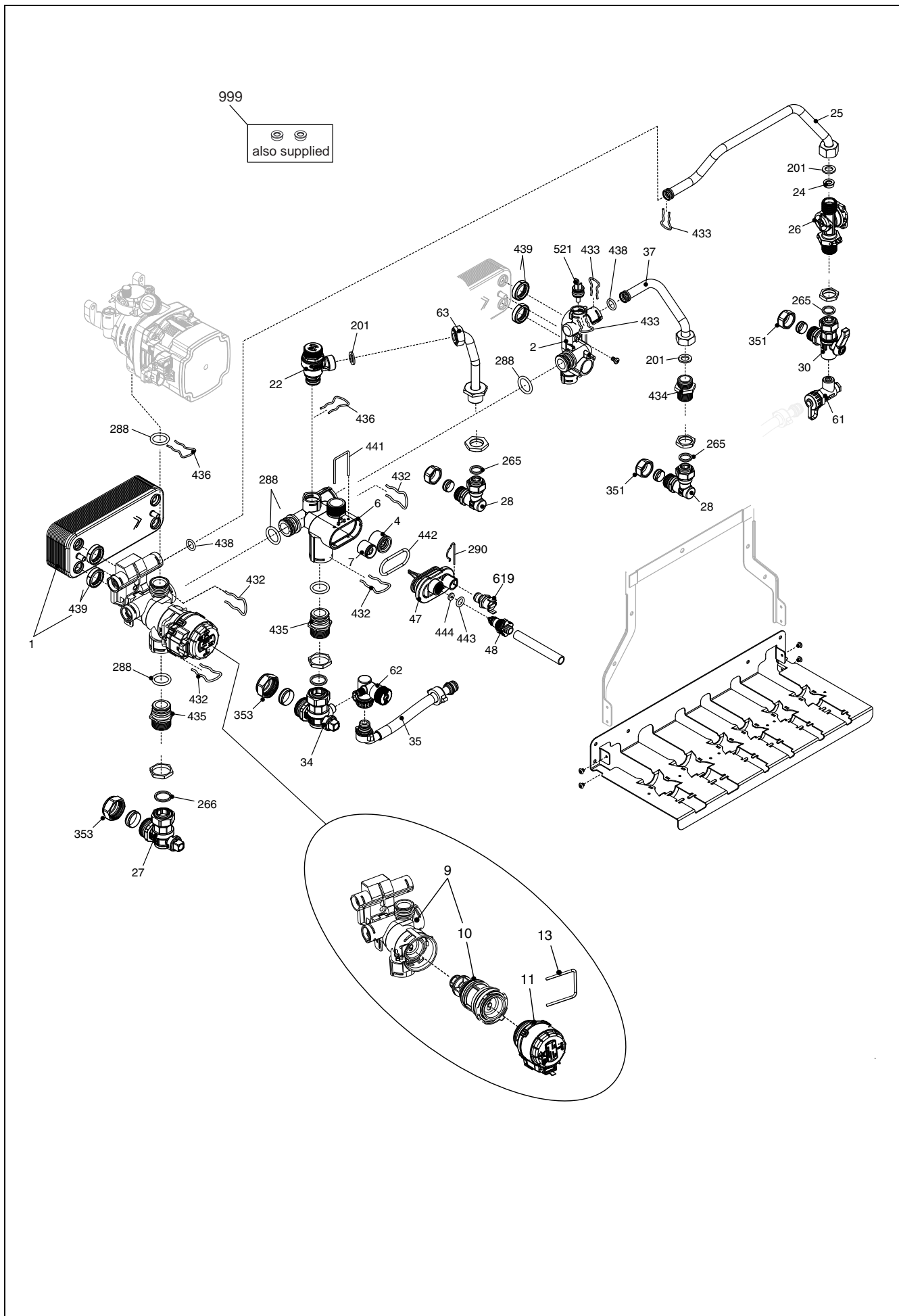
UNICA i28



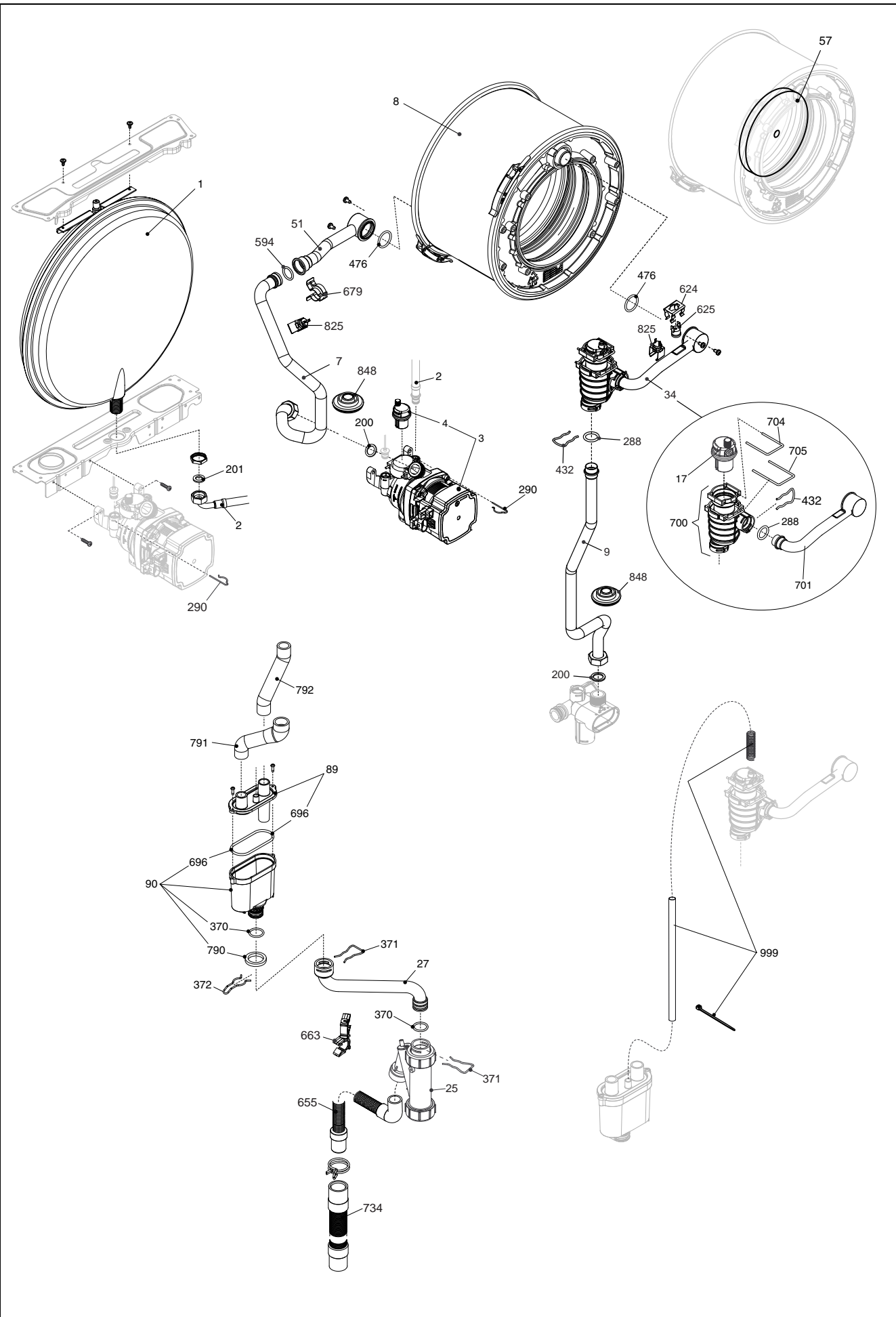
MODEL	PART NUMBER	
	MTN	GPL
Unica i28	20097273	-



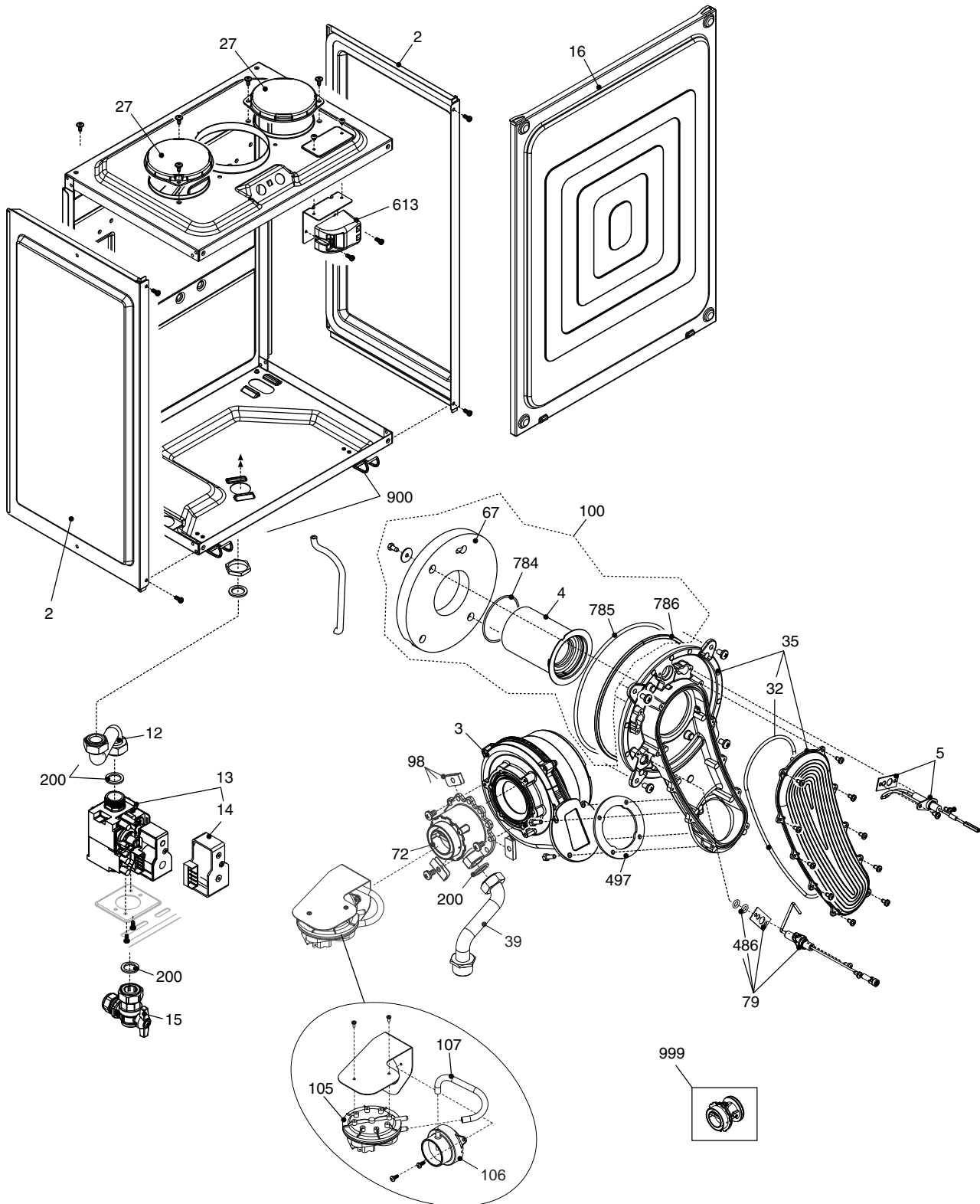
POS.	DESCRIPTION	i28
1	Frame	20057833
10	Water gauge carrier	20108296
12	Pressure gauge	20042115
18	Electric parts cover	20072084
20	Printed circuit board AKL03 (up to serial n. \leq 20097273N1350191)	20069541
20	Printed circuit board (from serial n. \geq 20097273N1350192)	20145176
26	Instrumental panel	20057837
27	Knob	20057330
28	Knob	20059926
31	Case Assembly	20057834
75	Card reader kit	20060938
90	Fuse	R3478
226	Clip	R5128
724	Calibration screwdriver	R2455



POS.	DESCRIPTION	i28
1	Exchanger	R1957
2	Connection	R10030114
4	Non return valve	R10025056
6	By-pass casing	R10024641
7	High head by-pass valve	R1552
9	3-way heating manif.+cartridge	20021496
10	Cartridge	20043594
11	Actuator	20017594
13	Clip	20017598
22	Safety valve	20043820
24	Flow governor	R10024987
25	Pipe	20011423
26	Dhw actuator	20029985
27	Heating cock	R1789
28	Connection	R1790
30	Cock	R10023567
34	Cock	R10023566
35	Flexible pipe	R10023570
37	Pipe	R10025840
47	Cover for by-pass assembly	R10024643
48	Cock	R10024646
61	Non return valve	R10023569
62	Cock	R10023568
63	Pipe	R10026228
201	Washer	R5026
265	Washer	R5236
266	Washer	R5237
288	O ring	R6898
290	Clip	R2165
351	Nut	R1823
353	Nut	R1824
432	Clip	R10024958
433	Clip	R10024986
434	Nipple	R10024985
435	Fitting/union	R10025059
436	Clip	R10025062
438	O ring	R10024988
439	Washer	R10025067
441	Clip	R10025063
442	O ring	R10025065
443	O ring	R10025064
444	Washer	R10025066
521	NTC sensor	R10027351
619	Pressure	20003181
999	Flow governor	R10026044
999	Flow governor	R10026045

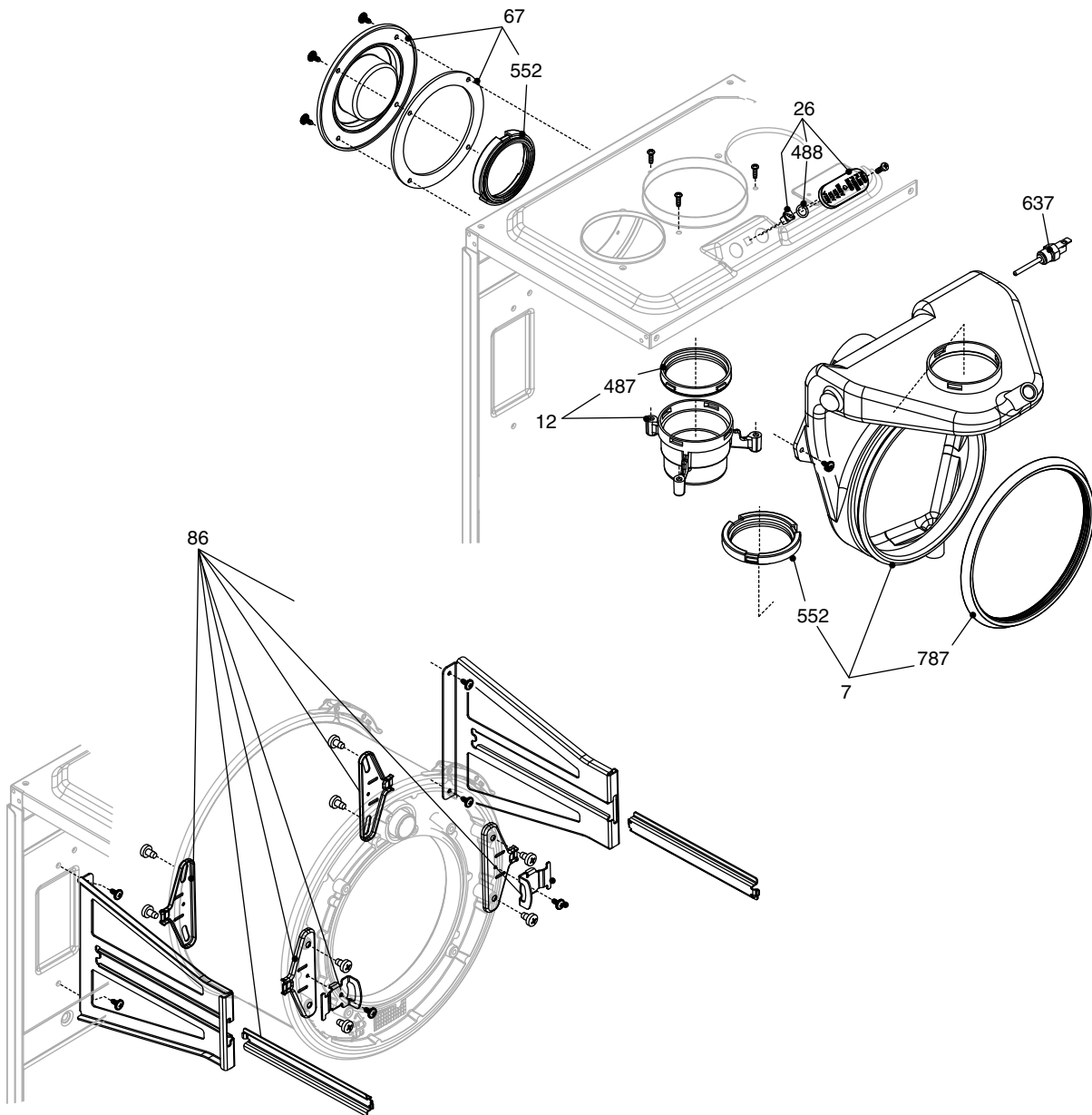


POS.	DESCRIPTION	i28
1	8 lt. expansion vessel	20138102
2	Pipe	R10025188
3	6m. pump	20136316
4	Air vent bottle	R10025485
7	Pipe	20099544
8	Condensing exchanger assembly	20125237
9	Pipe	20102629
17	Air vent valve	20147535
25	Siphon	20143712
27	Condensation outlet tube	20025743
34	Kit degasser + tube	20099548
51	Pipe	20057866
57	Retarder insulating panel	20086269
89	Siphon cover	20063464
90	Siphon	20063463
200	Washer	R5023
201	Washer	R5026
288	O-ring	R6898
290	Clip	R2165
370	O-ring	R10023533
371	Clip	R10023532
372	Clip	R2588
432	Clip	R10024958
476	O ring	R10026324
594	O ring	20000131
624	Clip	R5472
625	High limit thermostat	20005585
655	Condensing pipe	20010331
663	Cable holder	20014197
679	Clip	20024086
696	O ring	20028744
700	Degasser kit	20032553
701	Pipe	20067580
704	Clip	20019767
705	Clip	20120828
734	Flexible pipe	R10026272
790	O-Ring	20063468
791	Condensation outlet tube	20063466
792	Condensing pipe	20063467
825	NTC Detector	20078350
848	Fairlead	20099541
999	Degasser connection assembly	20096202

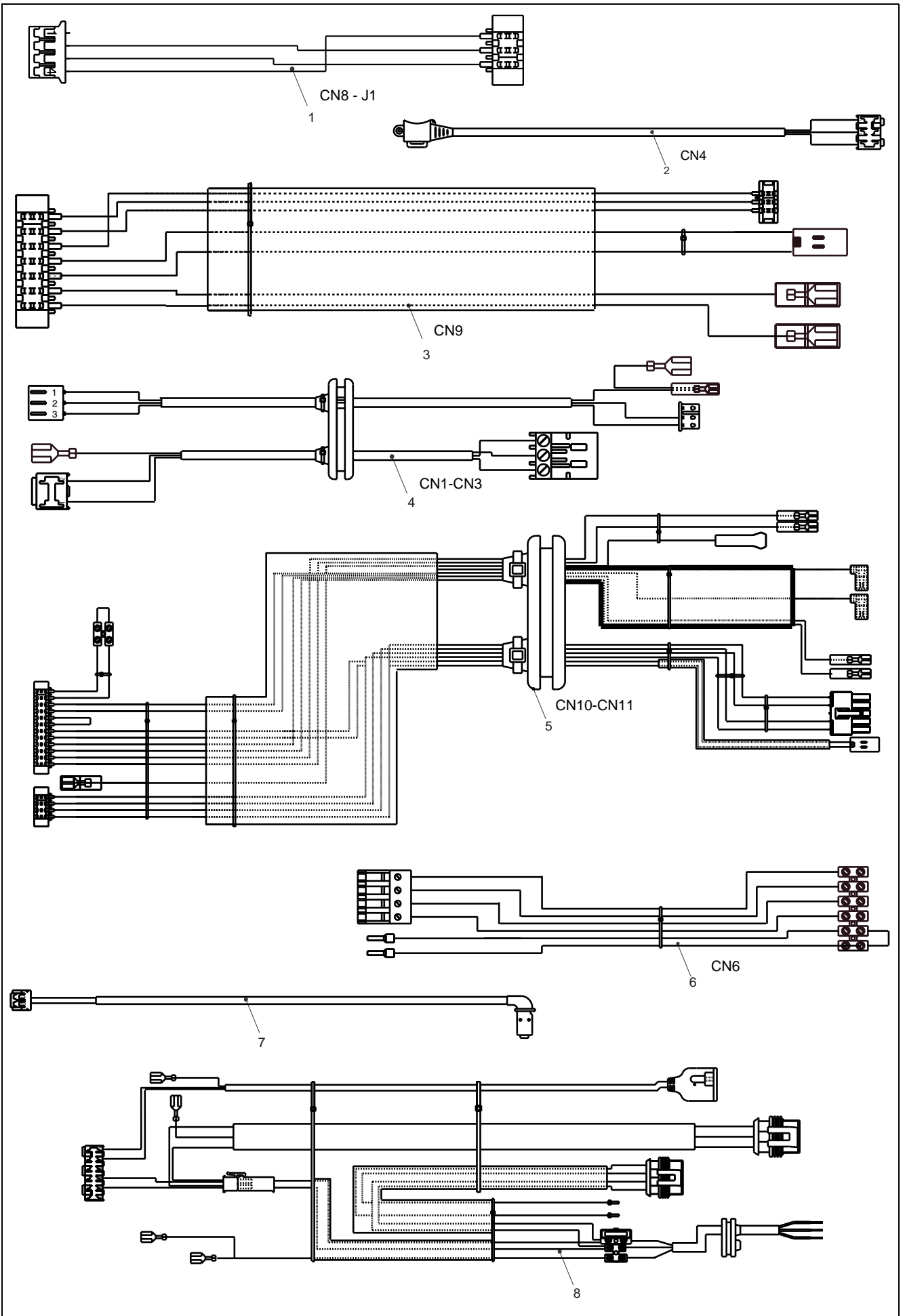


from serial number
≥ 20097273N1350193

POS.	DESCRIPTION	i28
2	Air chamber side	R10026231
3	Fan	20002995
4	Premix burner	20087379
5	Spark electrode	20119995
12	Gas pipe	R10028620
13	Gas valve	20039202
14	Gas valve solenoid	20040675
15	3/4" gas cock	R10020897
16	Air chamber access panel	20069007
27	Hole cover	20005586
32	Washer	20057870
35	Air/gas manifold	20057885
39	Gas pipe	20067581
67	Washer	20057858
72	Mixer	20067579
79	Sensing electrode	20119996
98	Spacer	20036990
100	Burner assembly	20057887
105	Differential pressure switch (from serial n. \geq 20097273N1350192)	20143726
106	Inlet with pressure intake (from serial n. \geq 20097273N1350192)	20143722
107	Silicone tube (from serial n. \geq 20097273N1350192)	20143725
200	Washer	R5023
486	O ring	R10026325
497	Washer	R10026796
613	Ignition transformer	20001563
784	O-Ring	20057871
785	Washer	20057878
786	Washer	20057872
900	Clips	20061168
999	Ng conversion kit	20069587
999	Lpg conversion kit	20069593



POS.	DESCRIPTION	i28
7	Conveyor	20057880
12	Flue drain connection	R10028421
26	Cap smoke analysis	20089999
67	Top flue outlet blanking cap	20057882
86	Bracket-kit	20057896
487	Washer Ø 60	R10026345
488	O ring	R10026494
552	Washer Ø 60	R10028426
637	Flue sensor	20007050
787	Washer Ø 160	20057889



POS.	DESCRIPTION	i28
1	Wiring harness	20011449
2	Hydraulic control cable	20028661
3	Low tension cable	20038366
4	Ignition cable	20057874
5	Combustion cable (up to serial n. \leq 20097273N1350191)	20057876
5	Combustion cable (from serial n. \geq 20097273N1350192)	20145188
6	Wiring harness	20067062
7	Pump cable	20100735
8	Power wiring harness	20102628

Descrizione

Rev.	Data	
1.0	15/06/2015	Aggiunto pannello isolante retarder scambiatore
2.0	22/02/2016	Inserita nuova tavola per gestione disegni cablaggi elettrici Aggiornato codice portaidrometro – E00120150671 : elettrodo
3.0	11/04/2016	E00120160178 : elettrodi
4.0	14/12/2016	E00120160412 : scambiatore condensante – Aggiunta molletta fissaggio tappo degasatore
5.0	17/02/2017	E00120170040 : Nuovo Brand Vokera by Riello
6.0	10/05/2017	E00120170271 : tubo corrugato – Aggiunto anello tenuta tav.4 pos. 486
7.0	19/10/2017	E00120160442 : vaso espansione – Razionalizzazione circolatori E00120170341 : valvola sfogo aria
8.0	27/04/2018	E00120180111 : valvola sfogo aria – E00120170709 : sifone modifica GAR E00120170626 : scheda e cablaggio modifica GAR (con gestione matricola)



Vokera reserve the right to change the specifications without prior notice.
Consumers' statutory rights are not affected.